

THIS DRAWING IS UNPUBLISHED. RELEASED FOR PUBLICATION  
 © COPYRIGHT - By - ALL RIGHTS RESERVED.

Loc		DIST		REVISIONS			
P	LTR	DESCRIPTION		DATE	DWN	APVD	
AD	00	G3	REVISED PER ECO-11-005027	11MAR11	RK	HMR	

SPECIFICATIONS

MATERIALS

CASE: THERMOPLASTIC, UL94V-0, BLACK  
 ACTUATOR: THERMOPLASTIC, UL94V-0, SEE TABLE  
 COVER: NICKEL SILVER  
 SEAL: SILICON RUBBER, BLACK  
 CONTACT: STAINLESS STEEL, PLATING-SILVER  
 TERMINAL: BRASS, PLATING-SILVER/NICKEL

ELECTRICAL

MAX CONTACT RATING: 50MILLIAMPS@24V DC  
 MIN CONTACT RATING: 10MICROAMPS@1V DC  
 INITIAL CONTACT RESISTANCE: 100 MILLIOHMS MAX, PER EIA RS-448, METHOD 1  
 INSULATION RESISTANCE: 100 MEGOHMS MIN @ 100VDC PER EIA RS-186-13E  
 DIELECTRIC STRENGTH: 500 VAC 50/60 HZ FOR 1 MINUTE  
 CONTACT BOUNCE: 10 MILLISECOND MAX PER EIA-448-18, METHOD 15

MECHANICAL

ACTUATOR OPERATING FORCE: SEE TABLE  
 ACTUATOR TRAVEL: 0.35±0.2mm

DURABILITY

UP TO 1,000,000 CYCLES, AT RATED LOAD PER EIA-RS-448, METHOD 8  
 FINAL CONTACT RESISTANCE: 200 MILLIOHMS MAX  
 CONTACT BOUNCE: 20 MILLISECONDS MAX  
 ACTUATOR FORCE: WITHIN ±30% OF INITIAL VALUE

ENVIRONMENTAL

OPERATING TEMPERATURE RANGE: -35°C to +85°C  
 STORAGE TEMPERATURE RANGE: -35°C to +85°C  
 HUMIDITY: 96 HOURS PER EIA-186-1E  
 INSULATION RESISTANCE: 10 MEGOHMS MIN  
 DIELECTRIC STRENGTH: 250VAC  
 CONTACT RESISTANCE: 100 MILLIOHMS MAX  
 DRY HEAT TEST: 85°C FOR 96 HOURS PER IEC 60068-2-2, TEST B,  
 NO CHANGE IN INITIAL ELECTRICAL AND MECHANICAL CHARACTERISTICS  
 COLD TEST: -35°C FOR 96 HOURS PER IEC 60068-2-1, TEST A;  
 NO CHANGE IN INITIAL ELECTRICAL AND MECHANICAL CHARACTERISTICS  
 THERMAL CYCLING: 5 CYCLES, -35°C to +85°C  
 HUMIDITY-TEMPERATURE CYCLING, EIA 364-31B, METHOD III  
 CONTACT RESISTANCE 100 MILLIOHMS MAX  
 RESISTANCE TO SOLDERING HEAT PER 109-201, COND B

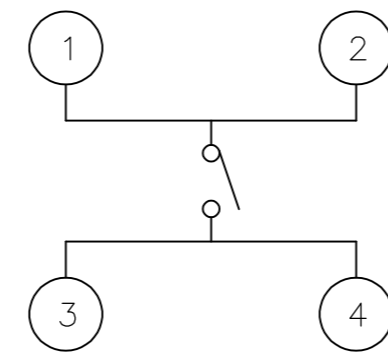
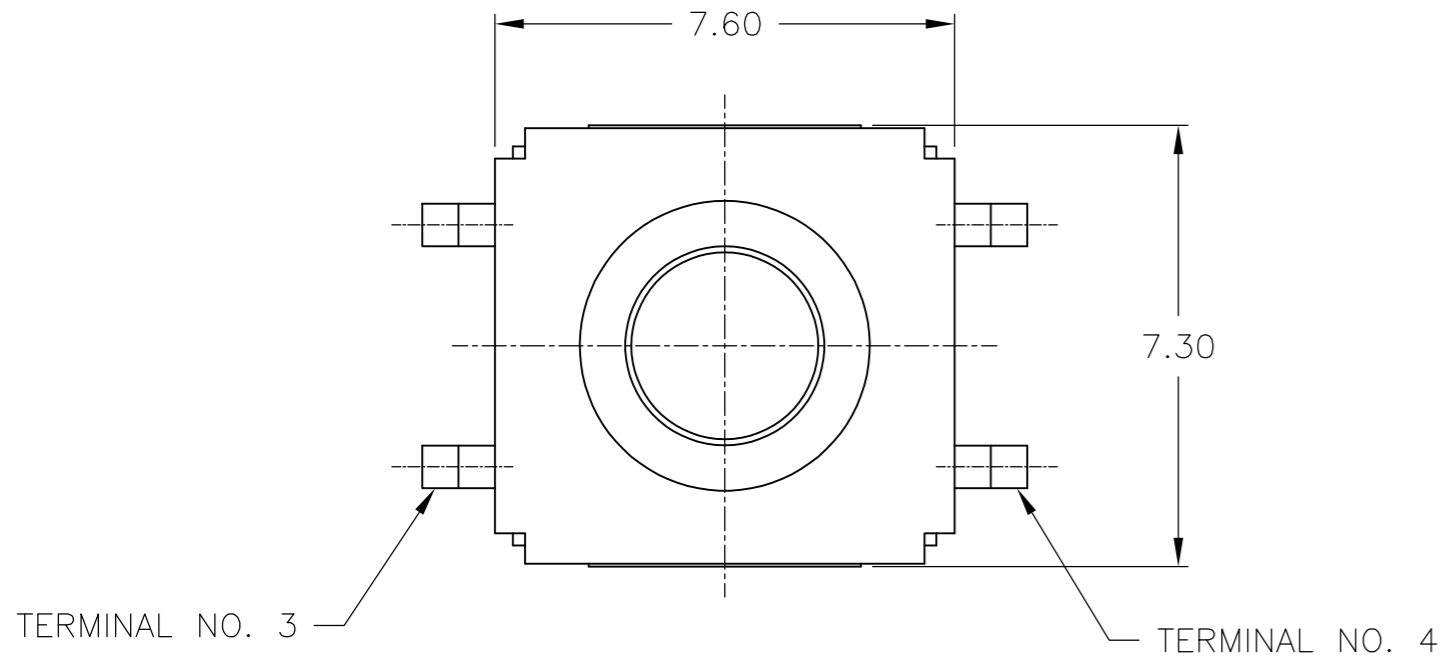
SEALING PER IP67

SOLDERABILITY: PER EIA-364-52, CLASS 1, CATEGORY 2

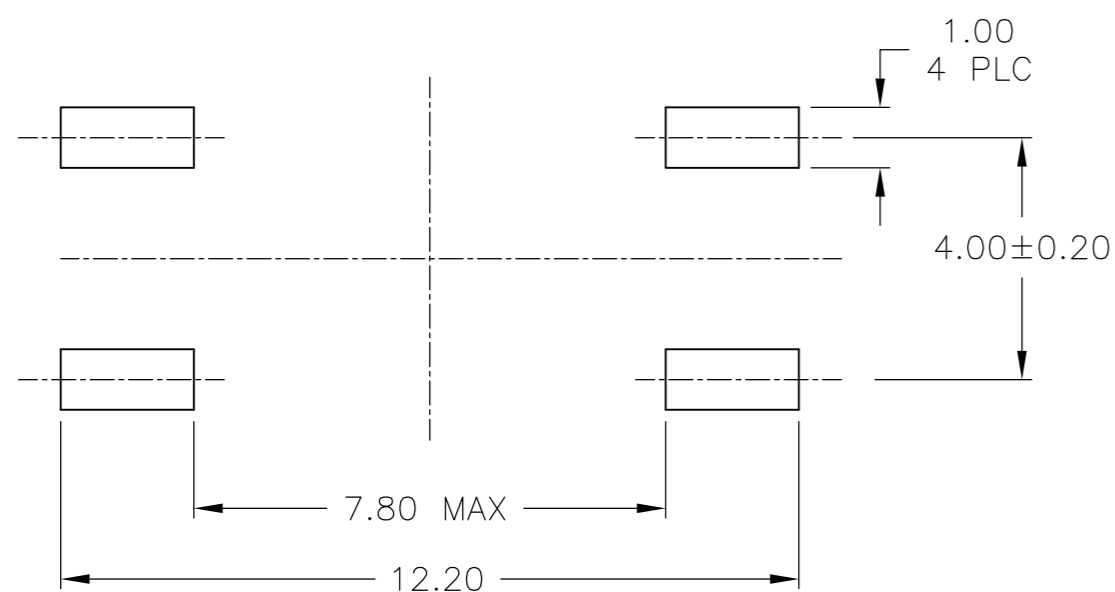
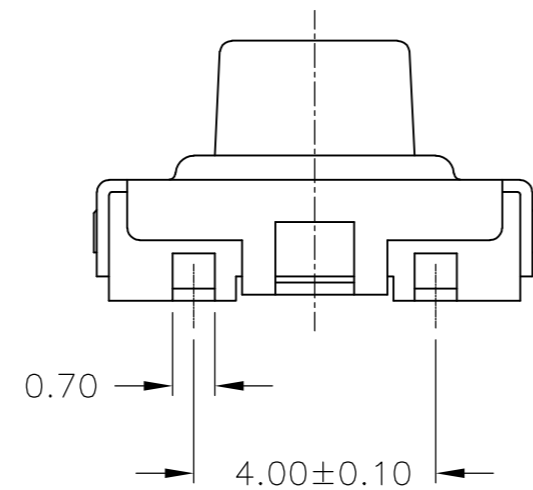
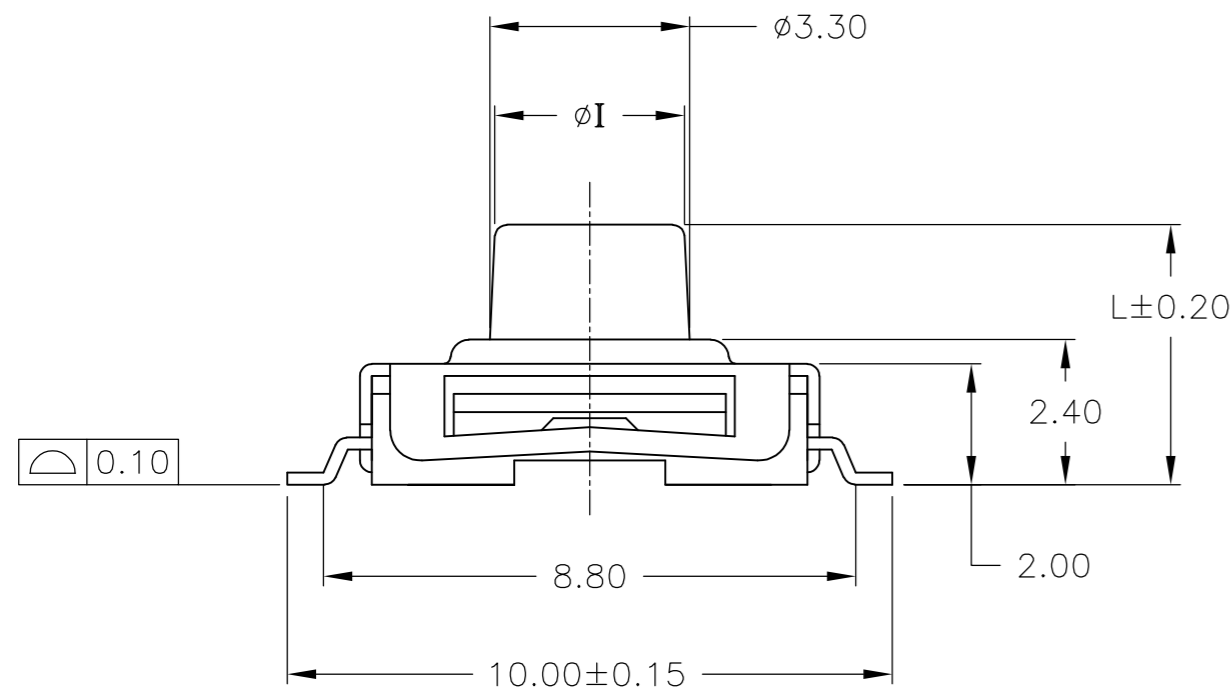
NOTES:

- 1 PARTS TO BE PACKAGED ON TAPE AND REEL PER EIA-481
- 2 ALL MATERIALS AND FINISHES SHALL COMPLY WITH EU DIRECTIVE 2002/95/EC OF 27JAN2003 (ROHS)
- 3 OBSOLETE PARTS: OBSOLETE CIS STREAMLINING PER D.RENAUD/D.SINISI

1	T&R	Blue	260 +/-50gf	3.10mm	4.50mm	1571294-8	
1	T&R	Ivory	160 +/-50gf	3.10mm	4.50mm	1571294-7	
3	1	T&R	RED	260 +/-50gf	3.10mm	4.30mm	1571294-6
OBSOLETE	BULK	RED	260 +/-50gf	3.10mm	4.30mm	1571294-5	
1	T&R	Black	160 +/-50gf	3.10mm	5.00mm	1571294-4	
1	BULK	Black	160 +/-50gf	3.10mm	5.00mm	1571294-3	
1	T&R	Black	160 +/-50gf	3.10mm	4.30mm	1571294-2	
1	BULK	Black	160 +/-50gf	3.10mm	4.30mm	1571294-1	
Packaging		Actuator Color	Operating force	DIM I	Dim L	PART NUMBER	



CIRCUIT DIAGRAM



P.C.B MOUNTING SOLDER LAND DIMENSION

DIMENSIONS:		TOLERANCES UNLESS OTHERWISE SPECIFIED:		DWN		CHK		APVD		NAME	
mm											
		0 PLC	± -	R BROWN	09DEC02					TE Connectivity	
		1 PLC	± -	M SARVER	09DEC02					SWITCH ASSEMBLY, TACTILE, 6mm SEALED, SMT	
		2 PLC	± 0.30	M SARVER	09DEC02					SIZE	CAGE CODE
		3 PLC	± -							A2	00779
		4 PLC	± -							DRAWING NO	RESTRICTED TO
		ANGLES	± -							C=1571294	-
		FINISH								SCALE	SHEET
										8:1	1 of 1
										REV	G3